

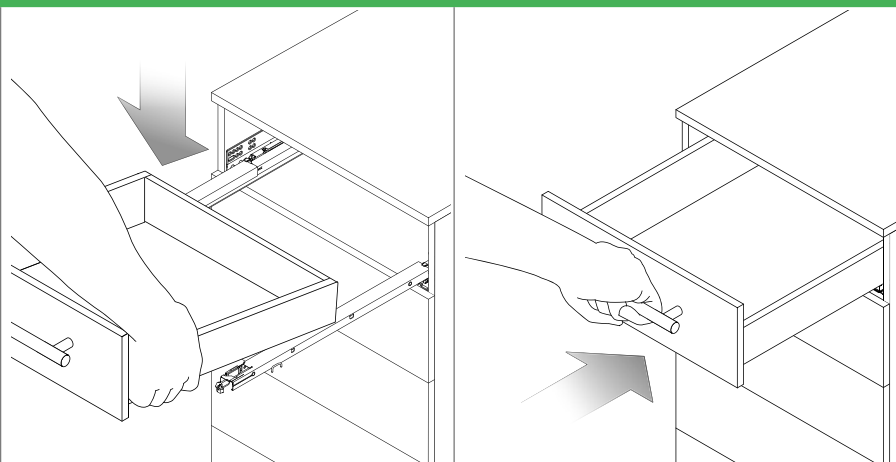
DYNAMOOV

Technical information

PLANNING DIMENSIONS

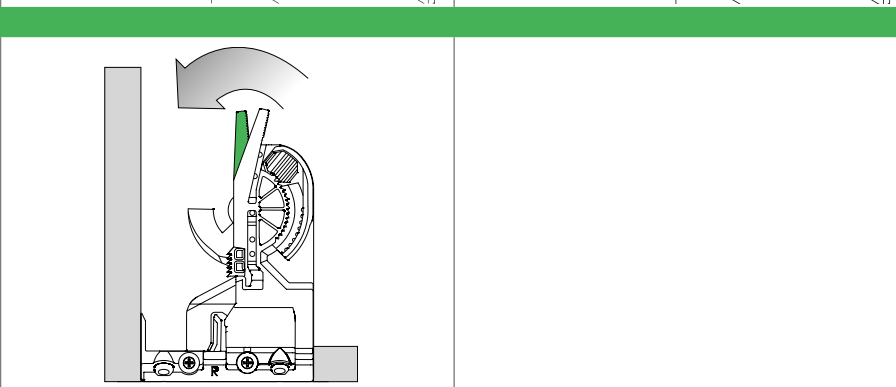
Inserting the drawer

Place the drawer on the extended Dynamoov slides and slide in until it audibly engages.



Removing the drawer

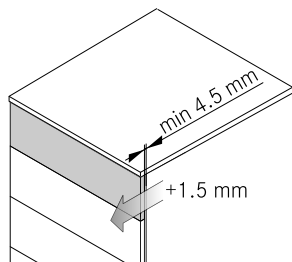
Pull out the drawer, actuate the lever of the front locking device on both sides and pull the drawer forwards, away from the slide.



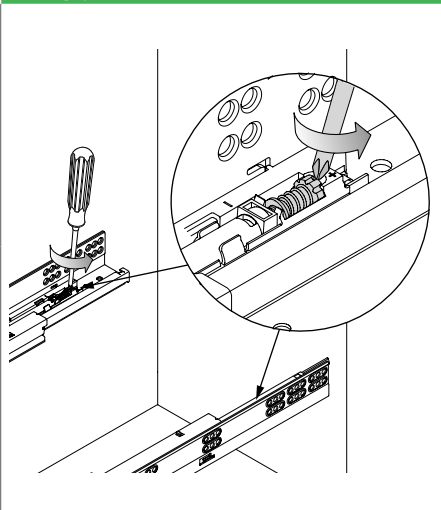
DYNAMOOV TIPMATIC

Front gap adjustment (max. +1.5 mm)

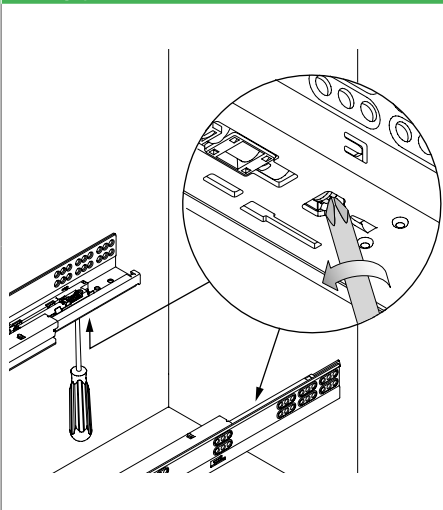
The reliable opening and closing of the drawer depends on the front gap setting (min. 4.5 mm = factory setting). If the front height is greater than 300 mm, the front gap must be increased to the maximum of 6 mm.



Front gap adjustment from above



Front gap adjustment from below



NOTES

Mounting of cabinet members:

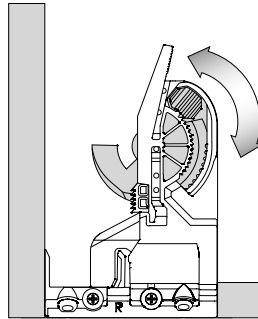
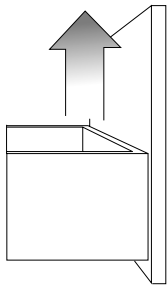
The screw recommendations are intended for reference.

Assemblers must ensure that the substrate material is thick enough.

PAGE REFERENCES

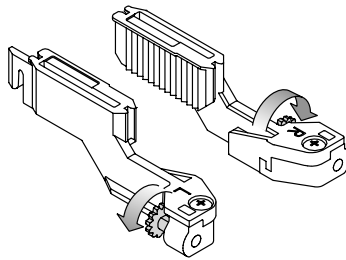
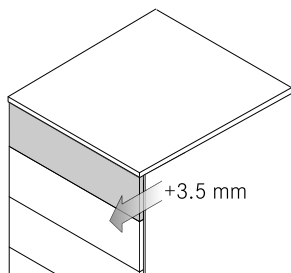
ADJUSTMENT

Height adjustment (max. +3.5 mm)



Depth adjustment (max. +3.5 mm)

Can be used for Dynamoov Soft-close/Self-close.



1

2

3

4

5

6

7

LEGEND

8